

**CARATTERISTICHE - FEATURES**

<b>Tipo - Type</b>	Tronchetto Victaulic - ad incollaggio <i>Victaulic - Pipe for solvent cement jointing</i>
<b>Materiale - Material</b>	PVC (polivinilcloruro) <i>PVC (polyvinyl chloride)</i>

<b>Codice Code</b>	<b>Descrizione Description</b>	<b>Misura Size</b>	<b>Ø est. Ext. Ø mm</b>
VIC040PVCVI048	Tronchetto Victaulic-incollaggio in PVC Style 40 S/40 <i>PVC Victaulic-bonding pipe Style 40 S/40</i>	1" ½	48,3
VIC040PVCVI060	Tronchetto Victaulic-incollaggio in PVC Style 40 S/40 <i>PVC Victaulic-bonding pipe Style 40 S/40</i>	2"	60,3
VIC040PVCVI073	Tronchetto Victaulic-incollaggio in PVC Style 40 S/40 <i>PVC Victaulic-bonding pipe Style 40 S/40</i>	2" ½	73,0
VIC040PVCVI076	Tronchetto Victaulic-incollaggio in PVC Style 40 S/40 <i>PVC Victaulic -bonding pipe Style 40 S/40</i>	2" ½	76,1
VIC040PVCVI089	Tronchetto Victaulic-incollaggio in PVC Style 40 S/40 <i>PVC Victaulic-bonding pipe Style 40 S/40</i>	3"	88,9
VIC040PVCVI114	Tronchetto Victaulic-incollaggio in PVC Style 40 S/40 <i>PVC Victaulic-bonding pipe Style 40 S/40</i>	4"	114,3
VIC040PVCVI168	Tronchetto Victaulic-incollaggio in PVC Style 40 S/40 <i>PVC Victaulic-bonding pipe Style 40 S/40</i>	6"	168,3

ATTENZIONE: I tronchetti EBF 40 in PVC sono utilizzabili solo con giunti originali VICTAULIC modello STYLE 171

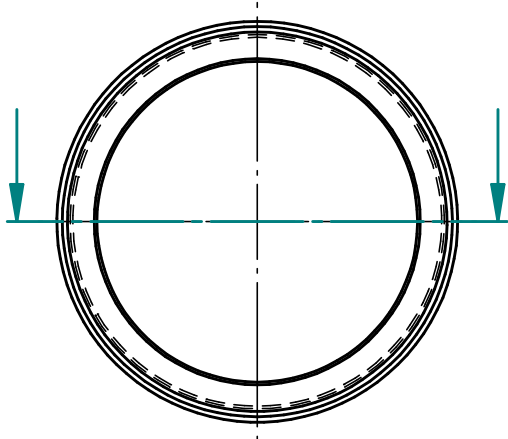
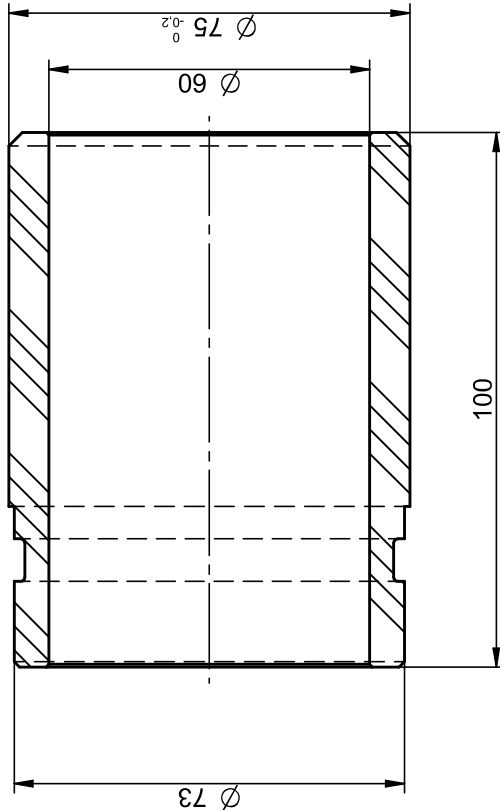
ATTENTION: The pipes EBF 40 made in PVC must be used only with the original VICTAULIC couplings model STYLE 171

**STYLE 40 PVC**









Materiale: PVC in barra d.80

POS.	CODE	DENOMINATION	QUANTITY	MATERIALS
ALL DIMENSIONS MILLIMETERS	ALL SURFACES FINISH ROUGHNESS IN Ra µm	GENERAL TOLERANCES UNLESS OTHERWISE SPECIFIED UNHEN 22768-mmk UNHEN 22768-c	NOT QUOTED FILLET R=0.3	CHAMFER 0.3x45°
SIMILAR TO	CRITICAL INDEX	WORK ORDER	QUANTITY	DRAWN DATE
			DATE	APPROVED DATE
			BY	BY
			GONZATO	
DENOMINATION	S/171 TRONCHETTO AD INCOLLAGGIO DA 2" 1/2 (73 mm) PVC		CODE	REV.
			VIC040PVCVI073	
	MODIFICATION		DATE	BY
	BARCODE		SCALE	PROJECTION
			1:1	



REPRODUCTIONS PROHIBITED - ALL RIGHTS RESERVED ACCORDING TO THE LAW



